

Omni-ID® Exo 400

Omni-ID Exo 400 is a small form factor, High Temperature RFID tag optimized for metal substrates. With a combined ability to survive high temperatures to 235°C and a rugged encapsulation, this tag is ready for deployment in a variety of applications without sacrificing read range performance.

Applications

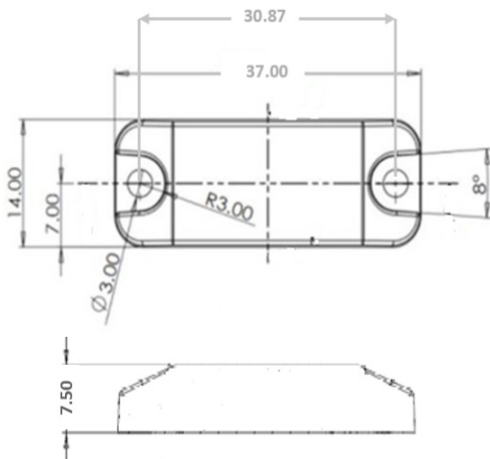
Omni-ID's Exo 400 **High Temperature** tag is an ideal solution for applications where surviving excessive heat in a rugged environment is needed such as:

- ▶ Healthcare sterilization processes
- ▶ Manufacturing
- ▶ Automotive post-paint processes

Physical Specifications

Encasement	Thermoplastic cover
Size (mm)	37 x 14 x 7.5
Size (in)	1.46 x 0.55 x 0.30
Weight (g)	5.7

Dimensions



Dimensions stated in mm

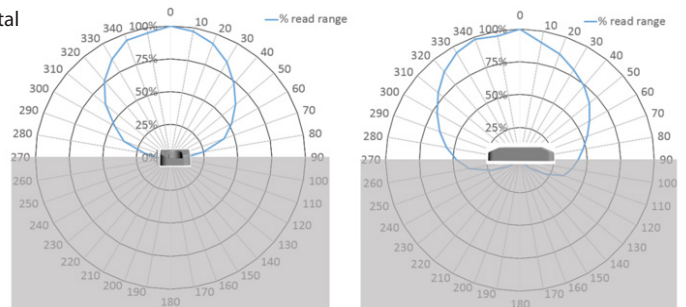
RF Specifications

Protocol	EPC Class 1 Gen2
Frequency Range (MHz)	866-868 (EU) 902-928 (US)
Read Range (Fixed reader) ¹	Up to 4.0m
Read Range (Handheld reader) ¹	Up to 2.0m
Material Compatibility	Optimized for metal
IC Type (chip)	Alien Higgs 3
Memory ^{2,3}	EPC - 96bits User - 512bits Unique TID - 64bits

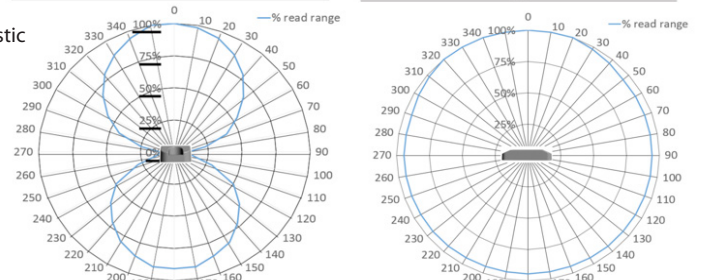
1. Quoted performance achieved using standard testing methodology. Read range will vary with reader hardware and output power.
2. EPC and User memory are reprogrammable, UTID is locked at point of manufacture.
3. Data retention is 10 years when the tag is retained within the operation temperature as specified.

Radiation Patterns

On Metal



On Plastic



Related Products and Services

- ▶ **Omni-ID Exo 600** - High performance, global RFID tag designed to meet the diverse needs of logistics industries.
- ▶ **Omni-ID Exo 800**- Long range, high durability and global RFID tag for heavy industry applications.
- ▶ **Omni-ID Exo 750** - Extreme durability, long range and global operability in a small, square footprint, on metal RFID tag.
- ▶ **Service Bureau** - Omni-ID offers a full service bureau for printing and pre-encoding Omni-ID tags at point of manufacture.



Environmental Specifications

Operation Temperature	-20 ° to +85°C
Max Temperature Exposure ¹	-20 ° to +235 °C
IP Rating	IP68
Shock and Vibration	MIL STD 810-G
Attachment	Mechanical (std) 2 x Ø3mm holes
Certifications	RoHS approved CE approved ATEX/IECEX certified (option) US&Canada (C1D1/D2) certified (option)
Warranty	1 year



1. Maximum constant exposure 700 hours.

Ordering Information

Order Codes	144 - (EU, US)
Option Codes	:303 (Customization) :304 (ATEX/IECEX certified) :307 (US&Canada (C1D1/D2) certified) :701 (Standard Service Bureau)